



HEAR WHAT OUR USERS SAY:



“The compounds arrived safely. I want to express sincere gratitude to Boehringer Ingelheim for sharing these amazing tool compounds!”

“This is a fantastic collaboration and I hope we can generate some useful data to share.”

“I am extremely looking forward to test it on my cells!”

“Thanks for the compounds, they have arrived well and super fast.”

Join the opnMe community

Each molecule comes with a comprehensive profile



Including

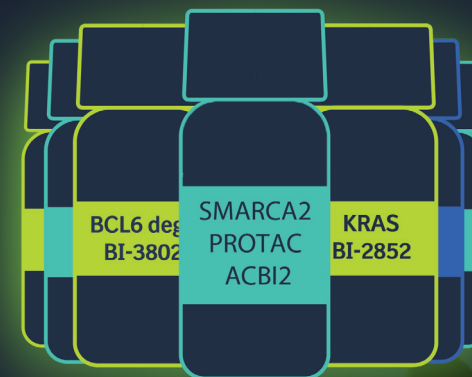
- Structural data
- Rich pharmacology package
- Negative control molecule*
- Selectivity data set
- References

Download without registration

*not available for all molecules



ORDER MOLECULES FOR FREE Accelerate your research



80+ molecules available free of charge

New molecules added on a regular basis

All results generated with these molecules belong to you

Publish independently

Order for free now on opnMe.com

Select any molecules from our growing selection of well-characterized tool compounds for pre-clinical bench research

- Covering ten different MoAs including PROTACs (proteolysis targeting chimeras) against contemporary targets
- 2,000 orders to date and > 6,000 molecules shared with scientists from 51 countries

Our molecules are shared to support you with your lab work

You own all results that you generate with our molecules. You are encouraged to publish any results you generate.

TPP Riboswitch BI-5232																		S-BEPAFANT PAF WEB 2388		
CDK8 BI-1347	RSK BIX-02565	EGFR BI-8128																GPR88 BI-9508	NPY2R BI-0246	NPY1R BIBO3304
GSK3 BI-5521	P38 BIRB-796	AuroraB BI 831266	BET PROTAC MZ*1	MLKL BI-8925	NSD3-PWWP1 BI-9321	NHE1 BI-9627	ENAC BI-8668	SOS1 BI-3406	LFA1 BI-1950	BCL6 BI-3802	KRAS BI-2852	BI BI 113823	5-HT2C BI-4752	BI BI113823	CCR1 BI-9967					
IKK6 BI 605906	SYK BI-1002494	PTK2 BI-3663	SMARCA ACBI2	BI-7190_BPTF	BRD7/9 BI-7273	BET BI- 894999	NMDA BI11 277CL	CAPSID BI-3257	BCL6 BI-1136	BCL6 BI-3812	SOS1 agonist VUBI1	β2AR BI-167107	BEPAFANT PAF WEB 2170	LTB4 BIIL 284	CCR10 BI-6901					
PLK1 BI-2536	AMPK BI-9774	PTK2 BI-0319	BRD7/9 VZ-185	SMARCA ACBI1	BRD9 BI-9564	BPTF BI-7190	Nav 1.2 BI11 890CL	GR agonist BI 653048	CETP BI-5756	SLC13A5 BI01383298	Lox1 BI-0115	CETP BI-5756	GPR40 BI-2081	SctR BI-3434	LTB4 BIIL 315					
Alk5 BI-4659	BacPROTAC BI-8255	PHGDH BI-9593	CathC BI-9740	MMP-13 BI-4394	HCV BI-1230	PHGDH BI-4924	CathC BI-1750	Chymase BI-1942	HCV BI-207127	PHGDH BI-4916	FAS BI-99179	sEH BI-1935	GPR142 BI-1046	BETA3 BI-2800	APAFANT PAF WEB 2086					
FLAP BI-665915	PDE2 BI-1960	CMV BI-9553	HIV BI-224436	HIV NNRTI BI-2540	HSD17B13 BI-3231	DPAP1 BI-2051	HCV BI-1388	CathS BI-1915	Telomerase BIBR1532	NE BI-5524	ATX BI-2545	HCV BI-0588	CathS BI-1124	STEP BI-0314	HCV faldaprevir BI 201335					

■ GPCR
 ■ MEMBRANE PROTEINS
 ■ NUCLEAR RECEPTOR
 ■ EPIGENETIC TARGET
 ■ MEMBRANE TRANSPORTER
 ■ ION CHANNEL
 ■ KINASE
 ■ PPI TARGET
 ■ ENZYME
■ RNA TARGET
■ PROTACS ARE FOUND IN THE RED FRAME BOXES

Order our molecules in a few clicks



Order individual molecules or in bulk



Shipped free of charge to your laboratory

